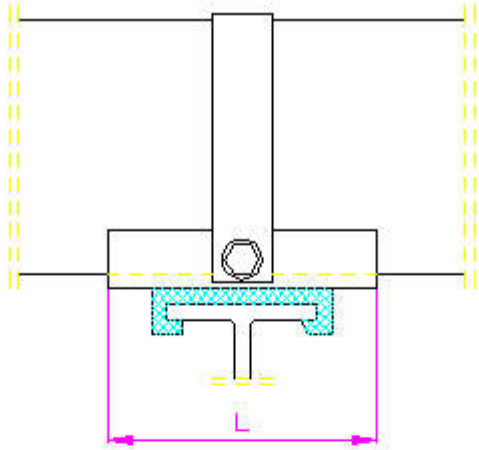


Prevents corrosion problems and reduces misalignment.

The Eslin rubber reinforced slide saddle is moulded to the pipe diameter and functions as a flexible backing to reduce misalignment between pipe and structural beam. Furthermore the slide saddle can reduce structural noise.



Ease of installation

Pre-assembled parts and no welding required.

Fields of application: Offshore and onshore piping, shipbuilding, chemical and petrochemical industries, gas distribution systems, LPG and LNG plants.

Material

Reinforced Eslin 60 A/VD Flame Retardative suitable from -80 up to +100 °C. Other rubber hardness or silicone based materials upon request.

Pipe sizes

This product is custom-made and available in line sizes from 1" to 42". Larger sizes also available upon request.

