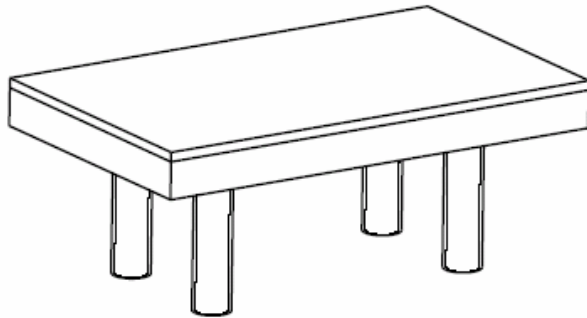




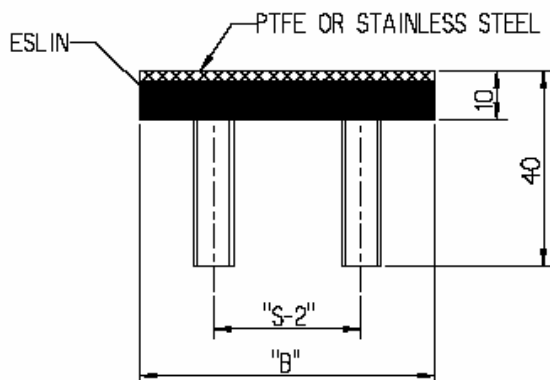
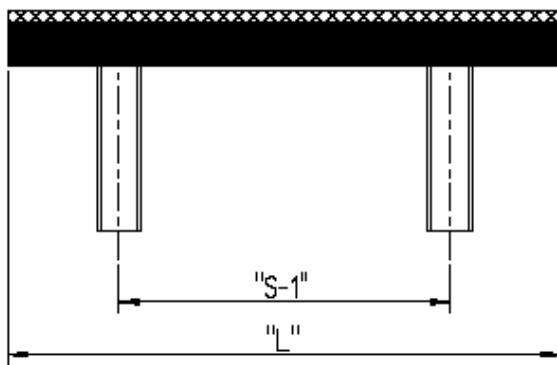
NOISE & VIBRATION DAMPING SLIDE PAD EME-SB-500 (up to +80 °C)



Provides noise & vibration damping as well as movement of pipelines. The slide plate (bottom pad) provides a PTFE top surface with a low coefficient of friction. The Eslin backing of this bottom pad serves mainly as shock absorbing and noise insulation. Mating surface of PTFE in behalf of sliding must be a stainless steel plate (top pad).

Ease of installation. Easy to install due to bolts.

Materials: Eslin and CS bolts



Part Number	Max. Load (kN)	'L'	'B'	'S-1'	'S-2'
EME-SB-500-001	9.0	100	60	60	30
EME-SB-500-002	12.5	100	80	60	40
EME-SB-500-003	16.0	100	100	60	60
EME-SB-500-004	12.0	125	60	80	30
EME-SB-500-005	16.0	125	80	80	40
EME-SB-500-006	20.0	125	100	80	60
EME-SB-500-007	26.0	125	125	80	80
EME-SB-500-008	14.0	150	60	100	30
EME-SB-500-009	20.0	150	80	100	40
EME-SB-500-010	25.0	150	100	100	60
EME-SB-500-011	40.0	150	150	100	100
EME-SB-500-012	34.0	200	100	150	60
EME-SB-500-013	53.0	200	150	150	100
EME-SB-500-014	72.0	200	200	150	150

Threading: zinc plated M8

Issue 2006A